

GE Series
Bidet Faucet
(w/ Pop-up Waste)



Features

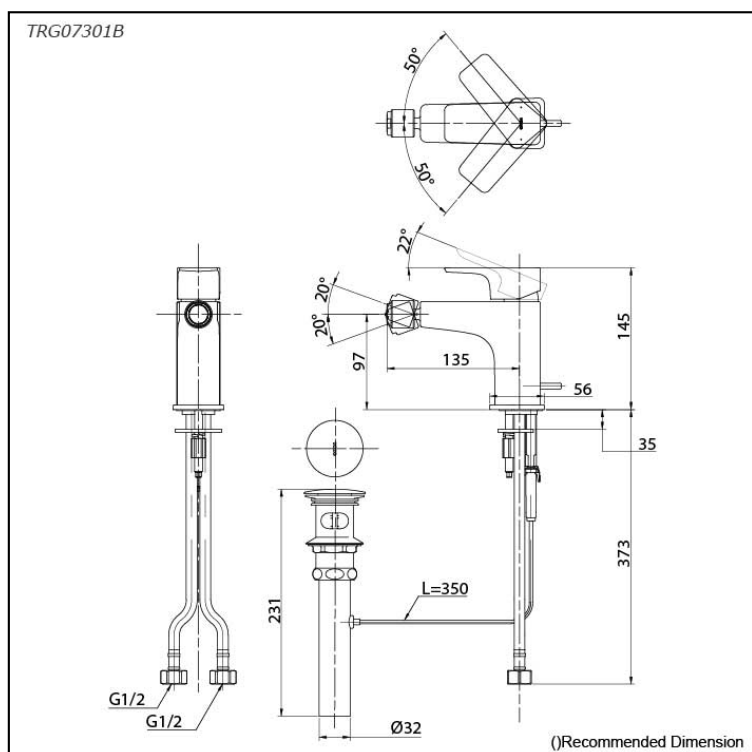
- A beauty of traditional craft in characteristic sculptural form
- V-shaped edge extends up to the end of the spout generate multi sided reflections
- Easy Installation and Usage

Specifications

Finish: Chrome
Material: Brass
Water Pressure: 0.05MPa~1.0MPa

Parts description

- **TRG07301B**
Bidet Faucet
(w/ Pop-up Waste)



Flow Rate

TRG07301B

