

*LB Series
Single Lever Lavatory Faucet
(w/o pop-up waste)*



Features

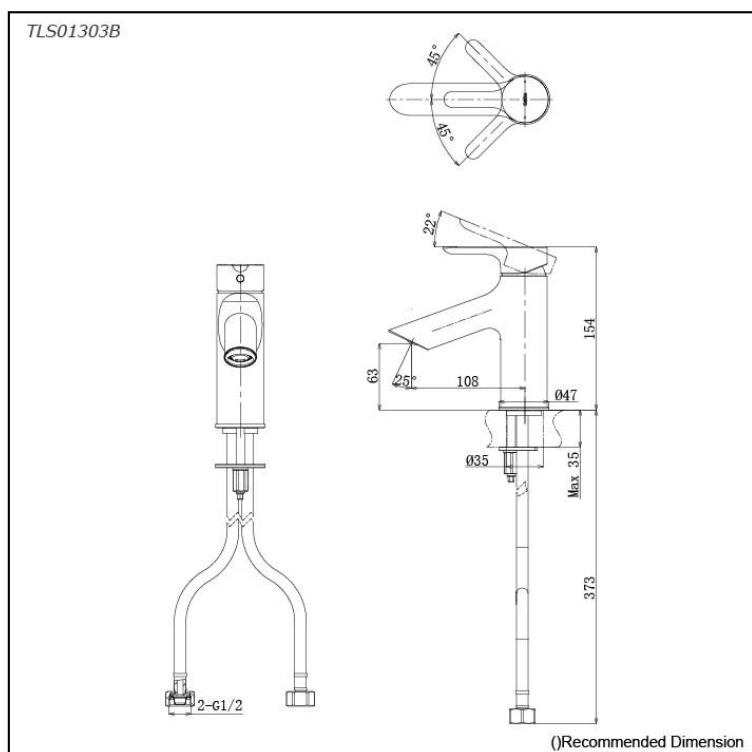
- Design Concept is Life and Branch
- TOTO original cartridge for smooth control
- High corrosion resistance plating
- TOTO aerated water technology, ECOCAP adds air to the water to achieve full water jet with less amount of water usage.

Specifications

Finish: Chrome
Material: Brass
Water Pressure: 0.05 ~ 1.0 Mpa

Parts description

- **TLS01303B**
Single Lever Lavatory Faucet (w/o pop-up waste)



Flow Rate

TLS01303B

