

# 施工说明书 Instructions for construction

安装产品前请仔细阅读本施工说明书，并保留备用。  
Before product installation, read these instructions for  
construction carefully and retain it for future reference.

# TOTO

# TOTO

OG3761Y  
2017.10

# 目录

## 目 录

目 录	1
明细单	2-3
使用条件与施工上的注意	4
施工上的注意和保养	5
安装完成图	6-7
水嘴的安装	8-10
生产厂家与销售商	11

# 明细单

## 明细单

主体部	1套
平板拉杆	1套
反冲杠杆	1套
排水金具	1套
施工说明书	1本
使用说明书	1本

使用此明细单的产品包括:

DL367	铜合金台式单柄双控洗面器水嘴(含排水配件)
DL367#PG	铜合金台式单柄双控洗面器水嘴(含排水配件)
DL367-1	铜合金台式单柄双控洗面器水嘴(含排水配件)

# 明细单

## 明细单



- DL367-1#PG 铜合金台式单柄双控洗面器水嘴 (含排水配件)
- DL367-2 铜合金台式单柄双控洗面器水嘴 (含排水配件)
- DL367-2#PG 铜合金台式单柄双控洗面器水嘴 (含排水配件)
- DL368 铜合金台式单柄双控洗面器水嘴 (含排水配件)
- DL368-1 铜合金台式单柄双控洗面器水嘴 (含排水配件)
- DL368-2 铜合金台式单柄双控洗面器水嘴 (含排水配件)

# 使用条件与施工上的注意

## 使用条件

1. 供冷水\*热水压力:  
最低压力……………0.05MPa (流动压)  
最高压力……………1.0MPa (静压)
2. 供水温度在4℃~90℃, 建议使用热水温度60±5℃, 供热水请勿使用蒸汽。
3. 使用环境温度0℃以上。如果低于0℃, 水嘴会出现变形、冻裂等现象。
4. 长时间不使用时, 可能导致水嘴内部及外部锈蚀不能使用等现象。
5. 如果您需要废弃本产品, 请勿将其作为一般生活垃圾处理, 请依照法规经由独立的回收体系进行合适的处理、恢复和回收。
6. 本说明书中的产品具有清洗功能。

## 施工上的注意

-  **警告** 表示如果无视此标志而误操作时, 有可能造成人员重伤或死亡。
-  **注意** 表示如果无视此标志而误操作时, 有可能造成人身伤害或财产损失。

### 警告

1. 水嘴的供热水一侧处于高温状态, 请注意勿使皮肤直接接触五金配件表面, 否则可能会烫伤。
2. 请勿配反冷\*热水配管, 否则可能会烫伤。
3. 供热水请勿使用蒸汽, 否则可能会烫伤。
4. 如果客户不使用我司水嘴自带的进水口过滤网, 可能会出现阀芯因异物进入而导致的漏水或破损的风险。

# 施工上的注意和保养

## ⚠ 注意

1. 由于陶瓷阀芯是较精密的部件，请勿擅自分解，否则可能会造成漏水等不良。
2. 请勿撞击本产品，否则可能会造成故障、漏水。
3. 必须使用中性洗涤剂清洗，中性以外的洗涤剂会破坏镀层或使表面变色。
4. 不得使用酸性洗涤剂和去污粉、抛光粉等含粗颗粒的洗涤剂和尼龙刷，否则可能会破坏镀层等。
5. 可使用软布擦拭，间或用机油或车用蜡浸布擦拭，但请勿接触树脂部件，否则可能失去光泽和产生锈蚀。
6. 建议不要长时间不使用，否则可能会导致水嘴内部以及外部锈蚀不能正常使用等现象。
7. 如果吐水压力大，请调节止水阀达到需要的流量，避免水势过大，溅出洗面盆。
8. 随着产品式样的不断更新，实物存在与图示不符的情况，但基本安装、使用原理相同。
9. 由于说明书共通使用，已有产品型号可能不在说明书中体现，但安装、使用原理相同。

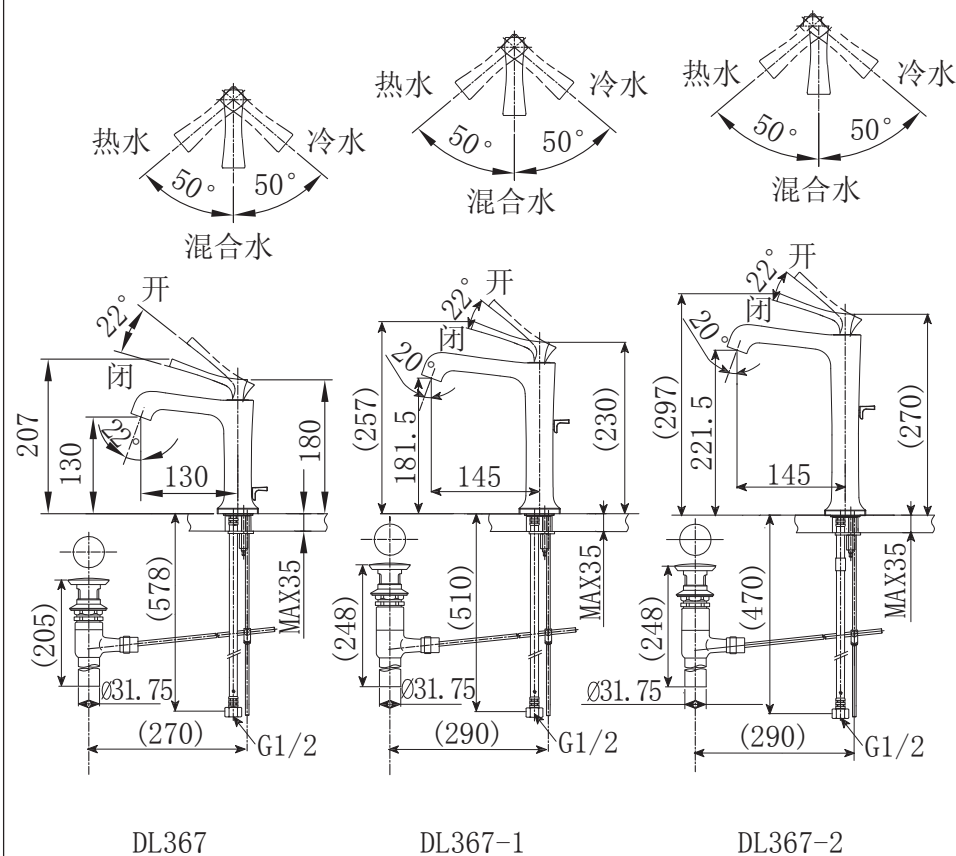
## 保养

为长期保持产品的美观，请用户按以下方法维护保养。

1. 经常用软布擦拭，间或用软布蘸水擦拭。
2. 当有污垢且比较明显时，请用中性洗涤剂擦拭后充分进行水洗。

# 安装完成图

- DL367 铜合金台式单柄双控洗面器水嘴(含排水配件)  
 DL367-1 铜合金台式单柄双控洗面器水嘴(含排水配件)  
 DL367-2 铜合金台式单柄双控洗面器水嘴(含排水配件)



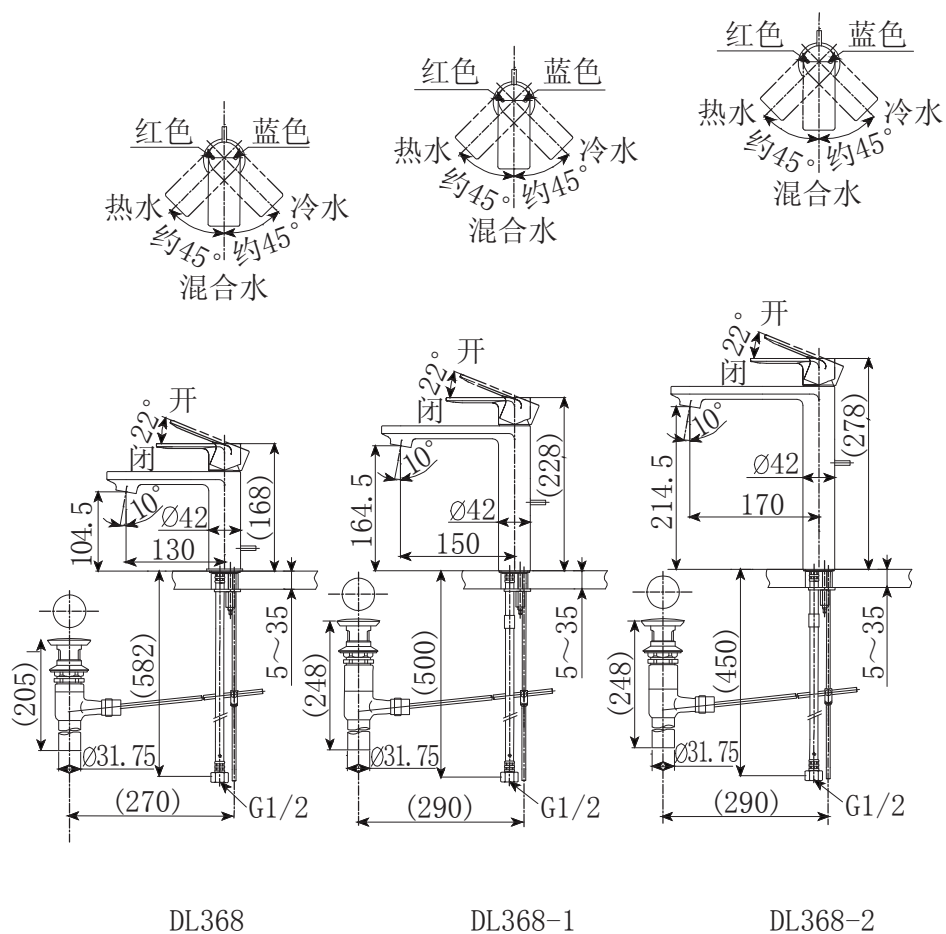
注：上記尺寸单位为mm；()内尺寸为参考尺寸。

# 安装完成图

DL368 铜合金台式单柄双控洗面器水嘴(含排水配件)

DL368-1 铜合金台式单柄双控洗面器水嘴(含排水配件)

DL368-2 铜合金台式单柄双控洗面器水嘴(含排水配件)

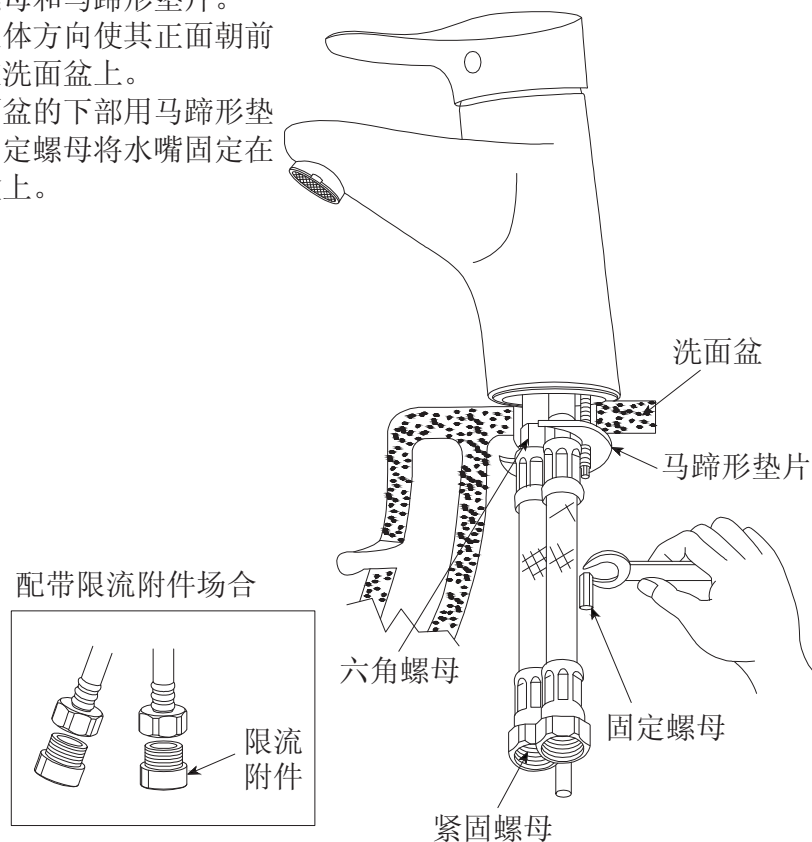


注：上記尺寸单位为mm；()内尺寸为参考尺寸。

# 水嘴的安装

## 1. 水嘴主体部分的安装

- ①如图所示，卸下主体下部的固定螺母和马蹄形垫片。
- ②调整主体方向使其正面朝前安装在洗面盆上。
- ③从洗面盆的下部用马蹄形垫片和固定螺母将水嘴固定在洗面盆上。

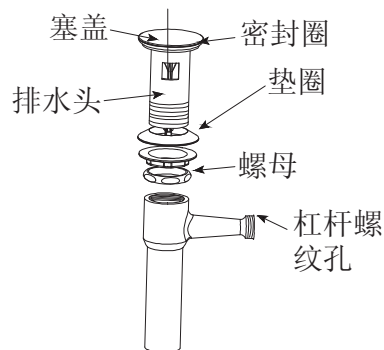


**△注意：**接入供水管前，务必确认紧固螺母内有无过滤垫片。紧固螺母与进水管连接时，请使用止水阀连接。有限流附件情况下，安装时先将接手拆下后安装到客户备用管，再安装耐压软管。耐压软管在出厂前已组装好，所以客户在安装使用时请勿拧动六角螺母。为了不使主体松动，请拧紧固定螺母。不同示例产品的安装原理基本相同。

# 水嘴的安装

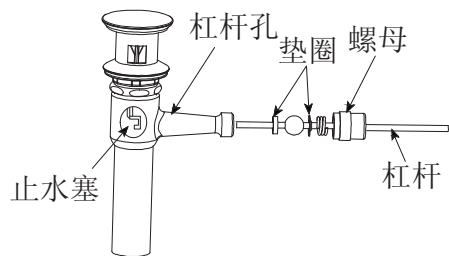
## 排水金具的安装(示例)

### ①排水主体的安装



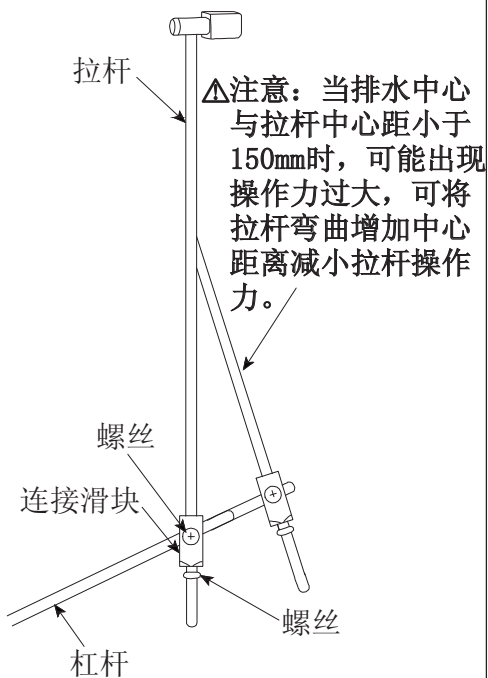
- 把排水头和密封圈从排水主体上卸下。
- 然后把排水主体从面盆下面放入。
- 从面盆上面将排水头和密封圈组合到排水主体上。
- 调节安装杠杆螺纹孔的方向，使其正对墙壁。
- 将螺母拧至合适的位置，避免面盆破损。

### ②排水杠杆的安装



- 请注意止水塞的方向。
- 将杠杆经过杠杆孔，插入到止水塞孔中，然后把螺母旋紧。

### ③提拉杆的安装



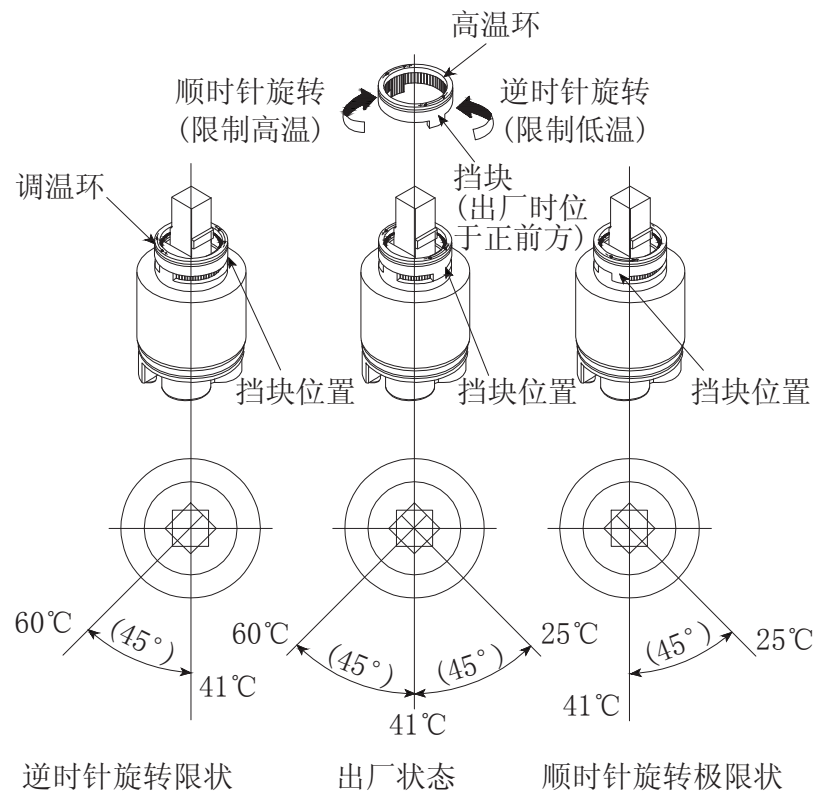
- 如图所示：先将杠杆穿过连接滑块，然后用连接螺母将提拉杆与连接杆固定，再调整连接滑块的位置，使杠杆与止水塞处于合适位置并用螺丝固定。
- 如果止水塞不能正常升降，请客户自行调节连接滑块在连接杆与杠杆上的位置。

# 水嘴的安装

阀芯为可调温度阀芯时，温度调整方法。

将手柄卸下，把上部灰色调温环拔出，顺时针方向旋转，限制高温（冷水 ↔ 混合水）；逆时针方向旋转，限制低温（混合水 ↔ 热水）具体挡块位置请参考下图。

△注意：请小心设定，避免高温烫伤



△注意：温度为参考值，入水温度参考值为：Tc=25℃ Th=60℃

# 生产厂家与销售商

执行标准：GB 18145-2014、GB 25501-2010

产品型号：见包装箱上的标签

产品名称：见包装箱上的标签

生产日期：见包装箱上的标签

组装工厂：东陶(大连)有限公司

电 话：(0411) 87624383

厂 址：大连经济技术开发区东北二街17号

东陶(中国)有限公司

全国售后服务电话：800-820-9787(固定电话)

400-820-9787(手机用户)

销售商：东陶(中国)有限公司

地 址：北京市朝阳区光华路1号 北京嘉里中心北楼1915室

网 址：www.toto.com.cn

# Contents

## Contents

Contents.....	1
Detailed list.....	2-3
Use conditions and attentions in construction.....	4
Attentions in construction and maintenance .....	5
Installation completion figure .....	6-7
Water nozzle installation.....	8-10
Manufacturer and vendor.....	11

## Detailed list

---

### Detailed list

Main body of water nozzle .....	1 set
Flat plate drawbar.....	1 piece
Kickback lever .....	1 piece
Water drainage fittings.....	1 set
Instructions for construction .....	1 copy
Instructions for operation.....	1 copy

The products using this detailed list include:

DL367	Single Lavatory Faucet with Popup (including water drainage accessories)
DL367#PG	Single Lavatory Faucet with Popup (including water drainage accessories)
DL367-1	Single Lavatory Faucet with Popup (including water drainage accessories)

## Detailed list

---

DL367-1#PG	Single Lavatory Faucet with Popup (including water drainage accessories)
DL367-2	Single Lavatory Faucet with Popup (including water drainage accessories)
DL367-2#PG	Single Lavatory Faucet with Popup (including water drainage accessories)
DL368	Single Lavatory Faucet with Popup (including water drainage accessories)
DL368-1	Single Lavatory Faucet with Popup (including water drainage accessories)
DL368-2	Single Lavatory Faucet with Popup (including water drainage accessories)





# Use condition and attentions in construction

## Use condition

1. Cold water supply\*hot water supply pressure  
Minimum pressure ..... 0.05MPa (flow pressure)  
Maximum pressure ..... 1.0MPa (static pressure)
2. The temperature for water supply is 4~90°C. It is suggested to use the hot water temperature of 60±5°C. Do not use steam to supply hot water.
3. The ambient temperature for use is above 0°C. If the ambient temperature is lower than 0°C, the faucet will deform and crack from freezing.
4. Being out of use for a long time may result in internal and external rust to the faucet and being unable to be used.
5. If you want to scrap this product, do not treat it as you do for general household garbage. Please follow relevant statutes to have it treated, recovered and collected appropriately by an independent recovery system.
6. The product in these instructions has a cleaning function.

## Attentions in construction

-  **Warning:** it means that ignoring this mark and misoperation may cause serious personal injury and death.
-  **Attention:** it means that ignoring this mark and misoperation may cause personal injury or property loss.

### Warning

1. The hot water supply side of the faucet is in a condition of high temperature. Do not allow skin to contact with the hardware surface directly. Otherwise, scalding may occur.
2. Do not reverse cold\*hot water pipes. Otherwise scalding may occur.
3. Do not use steam to supply hot water. Otherwise, scalding may occur.
4. If a customer fails to use the self-contained water inlet filter net of our water faucet, there is such a risk as water leakage or damage due to foreign matters entering into the spool.

# Attentions in use and maintenance

## Attentions

1. As the ceramic cartridge is a precise component, do not dismantle it without authorization. Otherwise, such poor conditions as water leakage, etc. may be caused.
2. Do not impact the product. Otherwise, failure, water leakage may occur.
3. It is imperative to use a neutral detergent cleaning. Other detergents than a neutral one may damage the plating coat or make the surface discolor.
4. Do not use any such detergent as acidic detergent and abstergent, polishing powder, etc containing thick particles and nylon brush. Otherwise, the plating coat may be damaged etc.
5. It is allowed to use a piece of soft cloth to wipe or use from time to time a piece of cloth immersed in machine oil or vehicle wax to wipe. However, do not contact with resin components. Otherwise, they may lose the gloss and become rusty.
6. It is suggested not to leave it unused for a long time. Otherwise, this may lead to intemal and external rust to faucets to such a degree that it cannot be used any more, etc.
7. If water pressure disgorges a large pressure, please adjust the water stop valve to attain the required flow to avoid water flow being too high to splash out from the face wash basin.
8. With the product design being updated constantly, the physical object may not coincide with the figure. However, the basic principle for installation, use is the same.
9. As the manual of instructions is for common use, the existing product models may not appear therein. However, the principle for installation, use is the same.

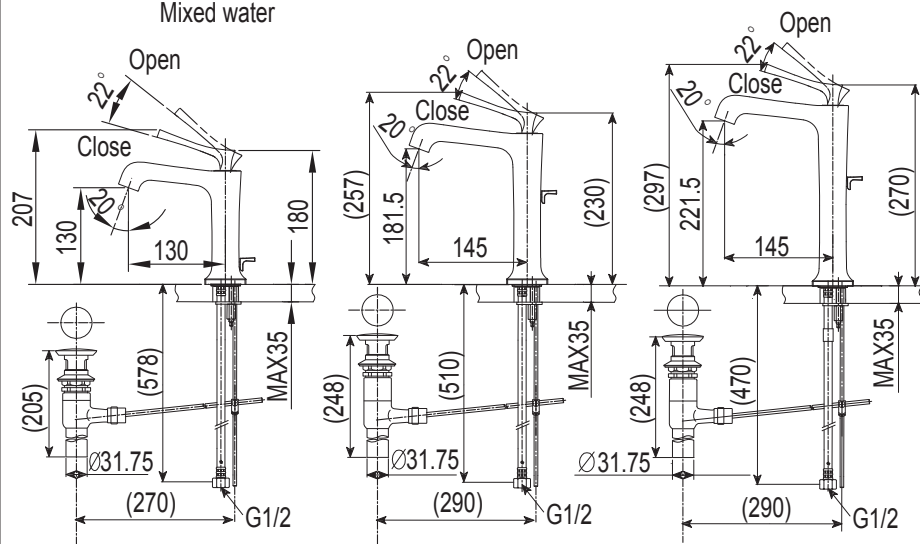
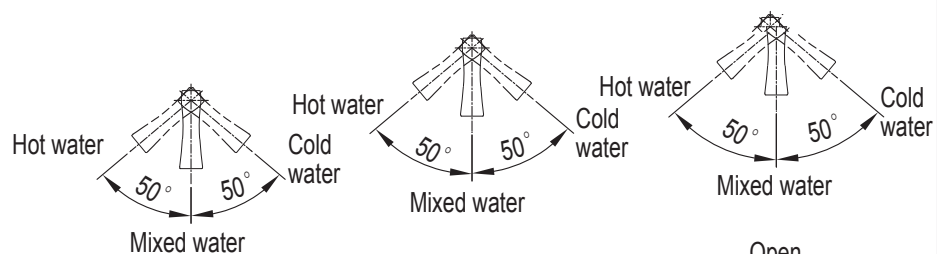
## Maintenance

To maintain a beautiful appearance of the product, the user is requested to conduct maintenance and care in the following method.

1. Wipe with a piece of soft cloth frequently and use a piece of soft cloth dipped in water to wipe from time to time.
2. When dirt exists obviously, please use water to wash sufficiently after wiping wife a neutral detergent.

# Installation completion figure

- DL367 Single Lavatory Faucet with Popup (including water drainage accessories)
- DL367-1 Single Lavatory Faucet with Popup (including water drainage accessories)
- DL367-2 Single Lavatory Faucet with Popup (including water drainage accessories)



DL367

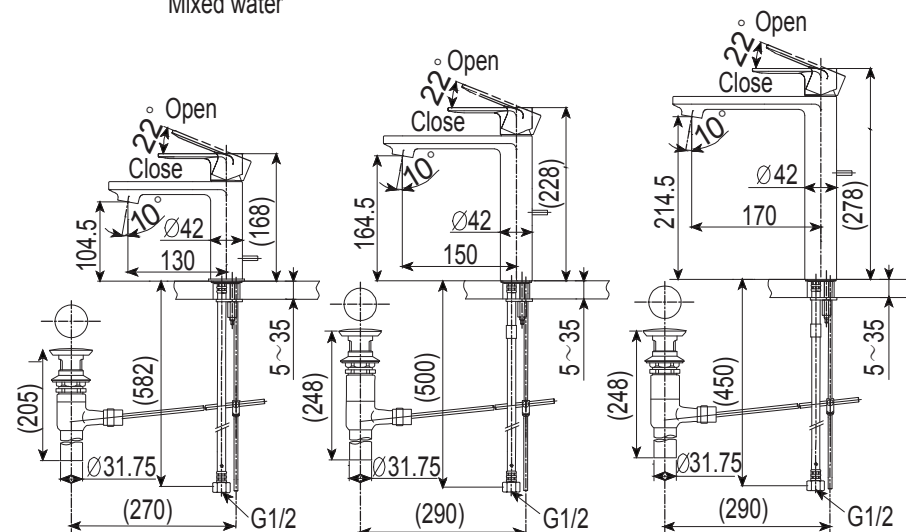
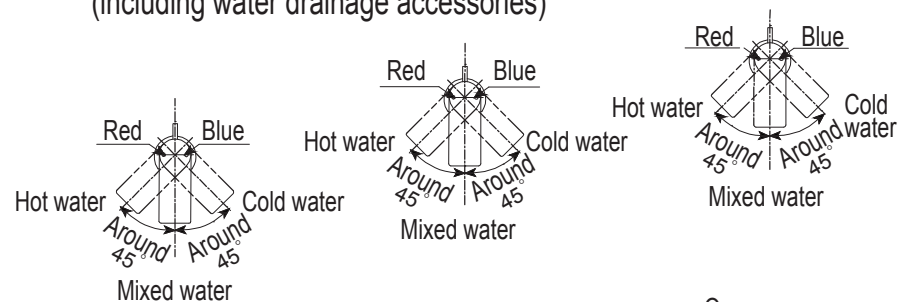
DL367-1

DL367-2

Note: The unit of the above dimensions is mm.  
The dimensions in ( ) are reference dimensions.

# Installation completion figure

- DL368 Single Lavatory Faucet with Popup (including water drainage accessories)
- DL368-1 Single Lavatory Faucet with Popup (including water drainage accessories)
- DL368-2 Single Lavatory Faucet with Popup (including water drainage accessories)



DL368

DL368-1

DL368-2

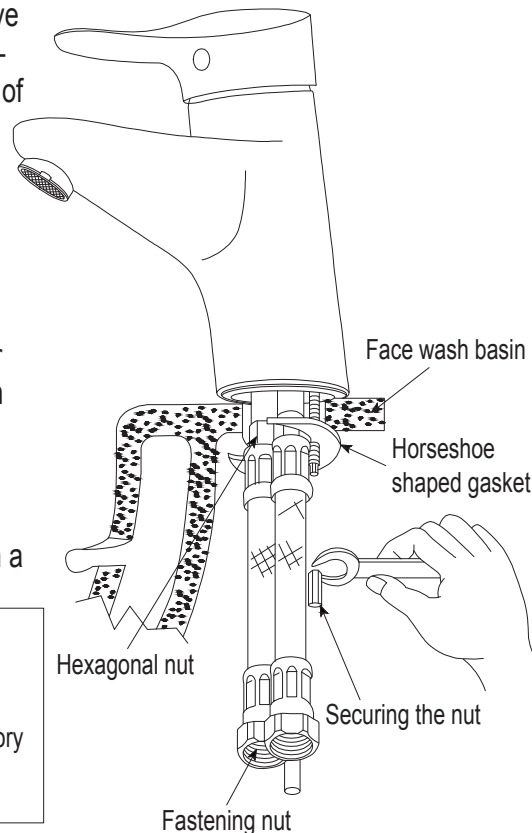
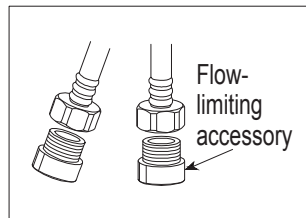
Note: The unit of the above dimensions is mm.  
The dimensions in ( ) are reference dimensions.

# Water nozzle installation

## 1. Installation of main body of water nozzle

- ① As shown in the diagram, remove the securing nut and horseshoe-shaped gasket in the lower part of the body.
- ② Adjust the direction of the body so that it is installed on the face wash basin with the front side facing forward.
- ③ Use horseshoe-shaped gasket and securing nut to fix the water nozzle onto the face wash basin from the lower part thereof.

Occasion provided with a flow-limiting accessory

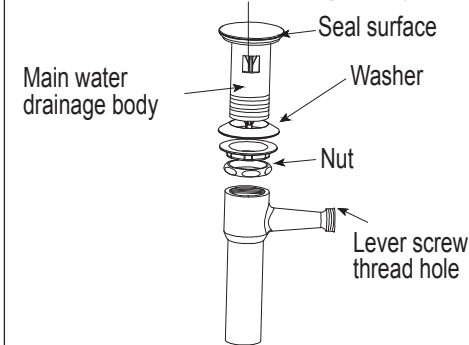


- ⚠ **Attentions:** Before connecting into the water supply pipe, be sure to confirm if filter gasket is available in the fastening nut. When connecting the fastening nut with water inlet pipe, please use water stop valve for connection. When installing, first remove the connecting hand and install to the standby pipe of customer, then install the pressure-resistant hose. The pressure-resistant hose has been installed before ex-factory. Therefore, customer is not allowed to screw the hexagonal nut when install and use. In order to keep the main body from loosening, please screw tight the securing nut. The product installation principle is basically the same for different examples.

# Water nozzle installation

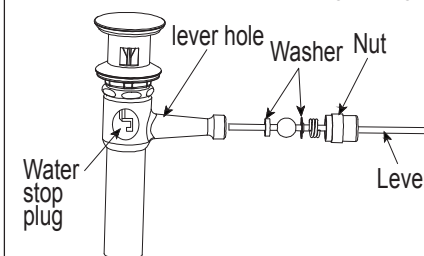
## 2. Installation of water drainage fittings(example)

### ① Installation of main drainage body



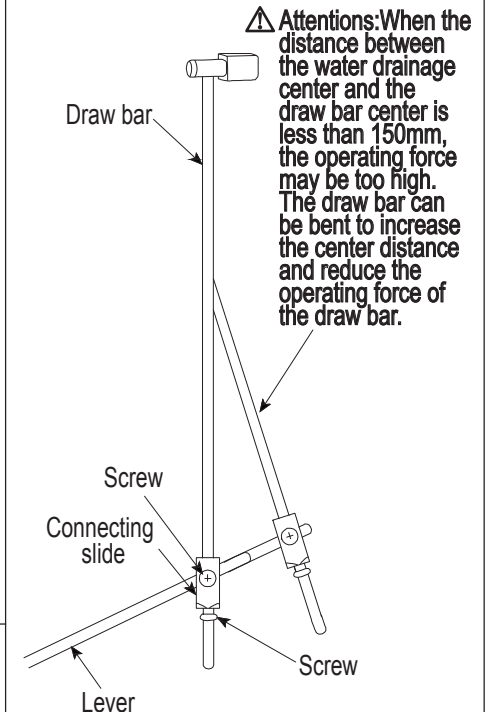
- a. Remove the water drainage head and seal ring from the main water drainage body.
- b. Then put the main water drainage body in from the lower side of the face basin.
- c. Combine the water drainage head and seal ring onto the main water drainage body from the upper side of the face basin.
- d. Adjust the direction of the screw hole to install the lever so that it faces right against the wall.
- e. Screw the nut to an appropriate position to avoid face basin being damaged.

### ② Installation of water drainage plug



- a. Please pay attention to the direction of the water stop plug.
- b. Insert the lever through the lever hole into the water stop plug hole. Then screw tight the nut.

### ③ Draw bar installation

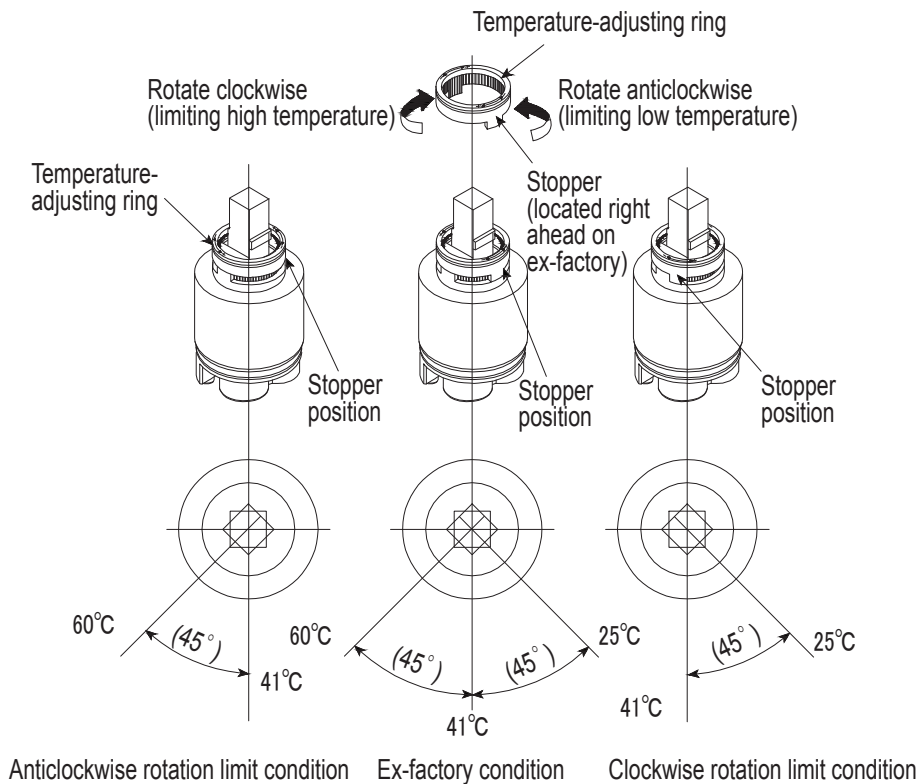


- a. As shown in the diagram, first put the lever through the connecting slide. Then use connecting nut to secure the draw bar and connecting bar. Adjust the position of the connecting slide to make the lever and water stop plug be in an appropriate position and secure with screw.
- b. lower normally, customer is requested to adjust the position of the connecting slide on the connecting bar and lever by himself.

# Water nozzle installation

Temperature adjustment method when the valve core is one with temperature adjustable. Remove the handle, unplug the upper grey temperature-adjusting ring and rotate clockwise to limit high temperature (cold water? mixed water). Rotate anticlockwise to limit low temperature (mixed water? hot water). For the specific position of stopper, refer to the diagram below.

**⚠ Attention: Please set carefully to avoid scalding due to high temperature.**



**⚠ Attention: The temperature is a reference value. The water entry temperature reference value is  $T_c = 25\text{ }^{\circ}\text{C}$ ,  $T_h = 60\text{ }^{\circ}\text{C}$ .**

# Manufacturer and vendor

Applicable standard: GB 18145-2014、GB 25501-2010

Product Model No.: See the label on the packaging case

Product name: See the label on the packaging case

Production date: See the label on the packaging case

Assembly factory: TOTO(Dalian)Co.,Ltd.

Telephone: (0411)87624383

Factory address: 17 Dong Bei Second Street, Economic & Technical Development Zone, Dalian

TOTO(China)Co.,Ltd.

National toll-free after-sale service telephone:

800-820-9787 (fixed telephone dialing)

400-820-9787 (mobile phone dialing)

Vendor: TOTO(China)Co.,Ltd.

Address: Room 1915, North Building of Beijing Jiali Center,

No. 1, Guanghua Road, Chaoyang District, Beijing

Website: [www.toto.com.cn](http://www.toto.com.cn)